



HIGH RUNNING PERFORMANCE  
AND STRONG ENDURANCE

# GRP SUPPORT BLADE

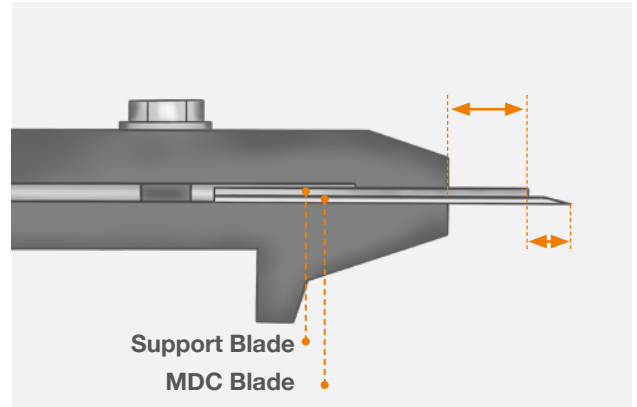
MDC GRAVURE AND FLEXO PRINTING



**Daetwyler**  
IBO Tec

## GRP SUPPORT BLADE

- Width:  
**free configurable**
- Length:  
**≤ 2400 mm**
- Thickness:  
**Available in two material thicknesses**



**Feature:** Setup can be individually adapted. In contrast to sheet metal, GRP has a high load-bearing capacity, is highly elastic, bending-resistant and lightweight. GRP has additional high corrosion resistance and is more cost-effective compared to stainless steel.

### Material thicknesses:

Conventional support blade made of sheet metal

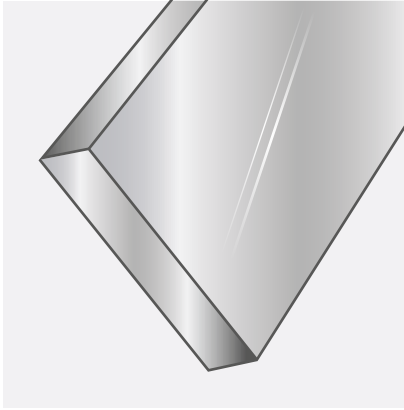


Daetwyler Glass Fiber

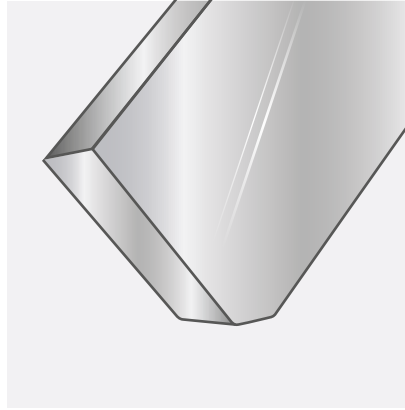


**Style:** GRP support blade is available in 2 sizes.

1. Regular-Edge



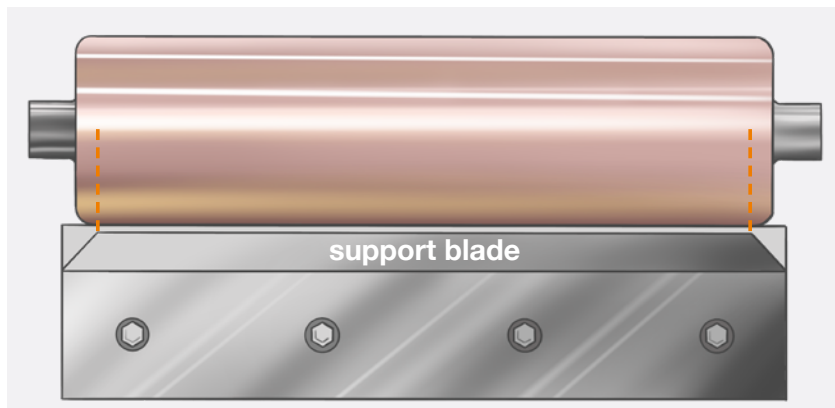
2. Cut-Edge



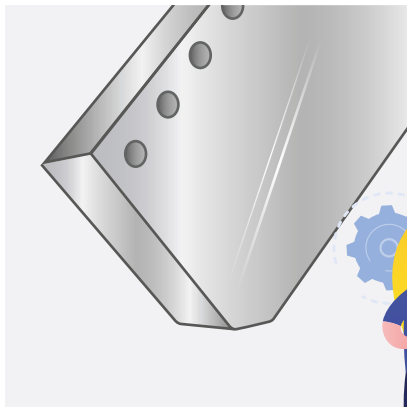
**Feature: Maximises the lifetime of the doctor blades**



(Please specify the bale width of the cylinder)



All variants also available with individual cut-outs or drill holes



---

**Daetwyler IBO Tec GmbH**

Loog 21 | 23611 Bad Schwartau

Deutschland

Tel +49 451 384 449 80

Fax +49 451 384 449 81

[ibotec@daetwyler.com](mailto:ibotec@daetwyler.com)



**Daetwyler**  
IBO Tec